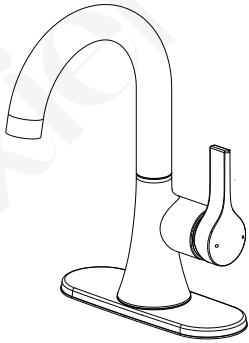


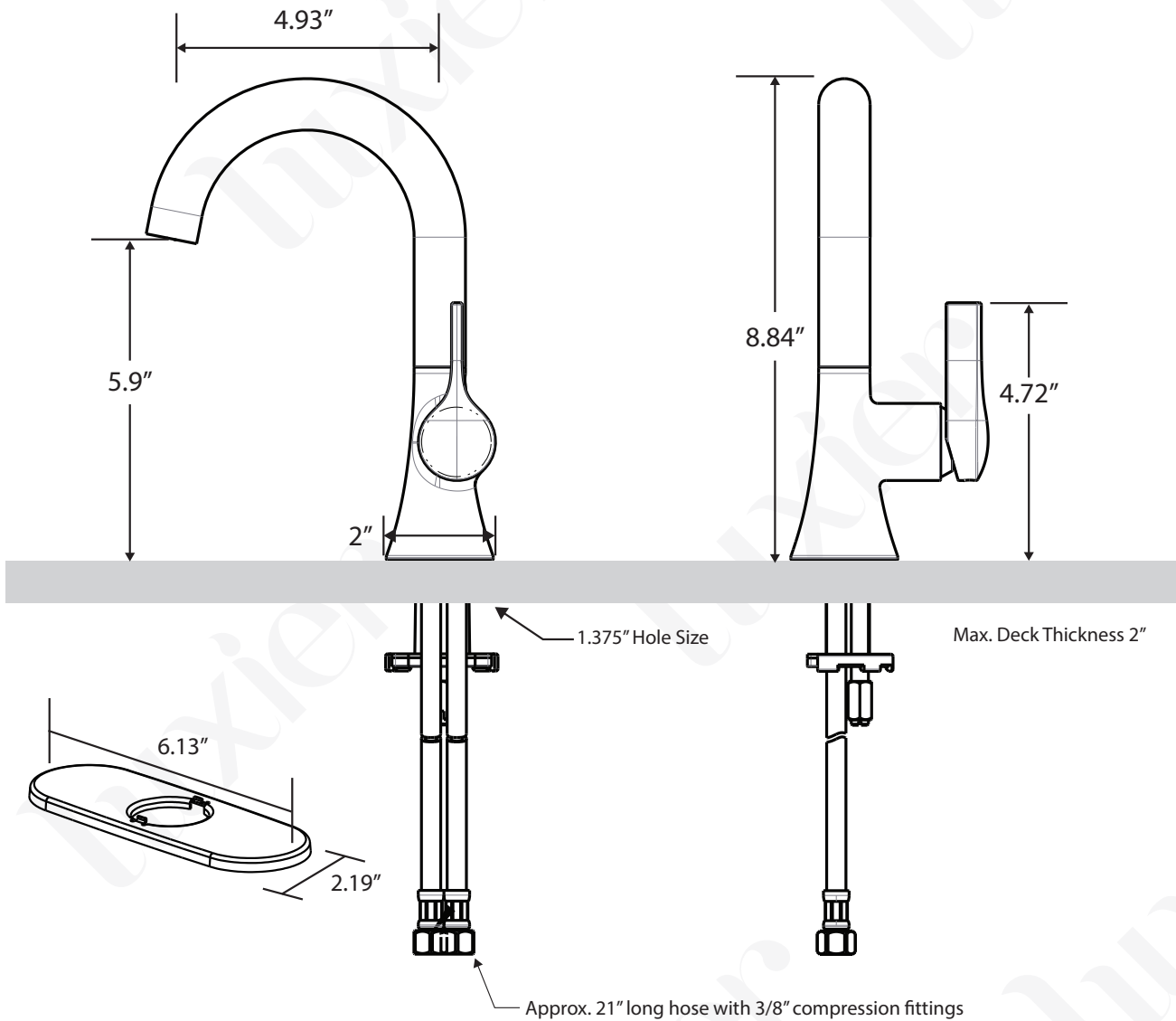
luxier®

Single Handle Lavatory Faucet



Model Number:
 BSH11-SB (Brushed Nickel)
 BSH11-SC (Chrome)
 BSH11-SG (Brushed Gold)
 BSH11-SM (Matte Black)
 BSH11-SO (Oil Rubbed Bronze)

Features:
 - Brass and Zinc Alloy Construction
 - Single Hole (Right Hand) Installation
 - 1/4 Turn Drip Free Ceramic Cartridge
 - Maximum Flow Rate 1.2 gpm at 60 psi
 - Complies with:
 NSF 61-9
 ANSI / ASME A112.18.1
 cUPC
 IAPMO / UPC
 CA AB-1953
 ADA



* Drawing not to scale. All Measurements are approximate*

Thank you for purchasing Luxier products. Please read the information below and keep this installation guide for future reference. If you require assistance, please contact our customer service department at 1-877-711-8828, Monday - Friday 9AM - 5PM Pacific Time or by email at support@luxierusa.com.

Limited Lifetime Warranty (For USA Only)

The manufacturer warrants this product to be leak and drip free during daily normal household use for as long as it is owned by the original purchaser of this product. Please keep a copy of the original invoice as proof of purchase.

Should a malfunction occur within the warranty period, Luxier USA will, as its option, (1) repair or replace the defective part(s) or product at no charge; (2) issue a refund of the purchase price paid for the product (Valid within 30 days from the date of purchase); or (3) issue a credit to be applied against the purchase of a new Luxier product. Shipping/delivery charges may apply and are in Luxier USA's sole discretion.

This limited warranty shall not apply to goods which have been subject to accident, negligence, improper installation, product abuse, product misuse, or use of cleaners containing abrasives, alcohol or other organic solvents, whether performed by a contractor, service company, or yourself, are excluded from this warranty.

Our responsibility under this warranty is limited to only to replacement parts and no other costs. Luxier USA will not be responsible for labor charges and/or damage incurred by installation, repair or replacement, nor for any indirect incidental or consequential damages, losses, injury or costs of any nature relating to this faucet. Except as provided by law, this warranty is in lieu of and excludes all other warranties, conditions, and guarantees, whether expressed or implied, statutory or otherwise, including without restriction those merchantability of fitness for use.

This limited warranty is non-transferable. This limited warranty only applies to products purchased and installed in the United States. This limited warranty covers the original consumer purchase only and does not include business, commercial or industrial use of this product. To obtain service under the Limited Warranty, please contact Luxier USA at support@luxierusa.com. The Luxier USA Customer Care Department will determine whether to repair or replace your product, issue a refund, or issue a credit.

Important Points

- This installation guide is subject to change without notice, please contact us to request the most updated version of this installation guide.
- This is a general installation guideline, actual installation may vary. Consult a professional if necessary.
- Read and understand this instructions completely before installation.
- Please follow all local building and plumbing codes.
- Product drawings in this installation guide is for illustration purpose only. Actual product may vary depends on model.
- Always take extra precautions and wear appropriate safety equipment when installing this product.
- Wrap all threaded connections, except the aerator in the spout, with Teflon (PTFE) tape. Always wrap in a counterclockwise direction.
- When installing your new faucet, first hand tighten the water supply hoses then use a wrench to give the compression nuts an additional (1/4) turn. Do not overtighten the compression nuts as it will reduce the integrity of the sealed connection.

You may also need the following tools

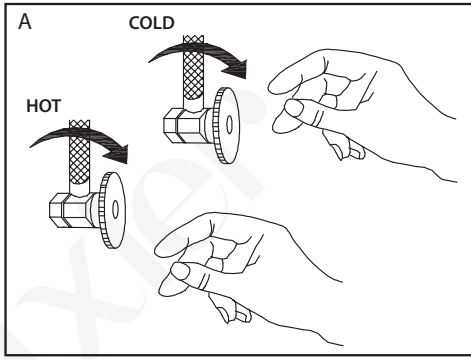
1. Safety Glasses	5. Adjustable Wrench
2. Teflon (PTFE) Tape	6. Screwdriver
3. Plumber's Putty and Caulking	
4. Basin Wrench	

Maintenance Guide

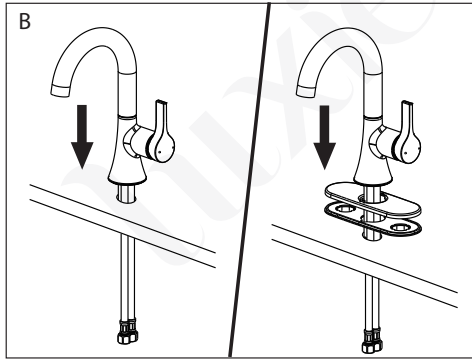
Please follow the cleaning material manufacturer's instructions. Damage caused by improper treatment will not be covered by product warranty. In addition, pay attention to the following points:

- Regular cleaning can prevent mineral build up on faucet spout.
- Carefully read the cleaner product label to ensure the cleaner is safe for use on the material.
- Test the cleaner on a small area before using on the entire surface.
- Use a mild detergent such as liquid dishwashing soap and warm water for cleaning.
- Do not use abrasive / harsh chemical when cleaning the fixture as they will damage and dull the finish.
- When using spray cleaners, spray first onto a soft cloth or sponge. Never spray directly onto the faucet as droplets can enter openings and gaps and cause damage.
- After cleaning, rinse thoroughly with clean water to remove any cleaner residue.

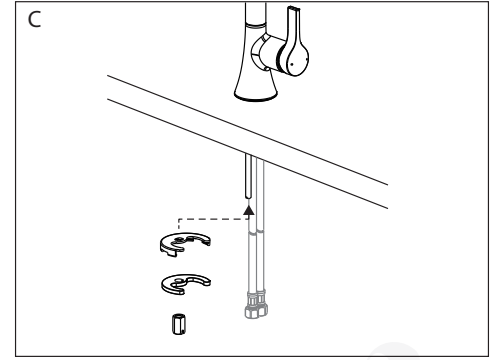
Installation



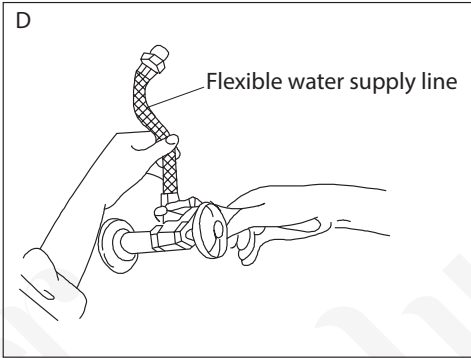
A. Shut off water supply at the valves. Remove the old faucet and clean the mounting surface for installation of the new faucet.



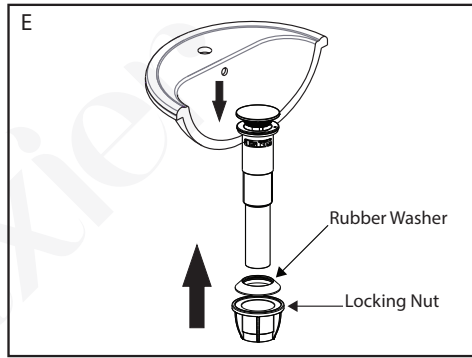
B. Single hole installation, insert the faucet through the mounting hole directly OR use the included deck plate to convert a 4 inch centerset hole pattern to a single hole pattern.



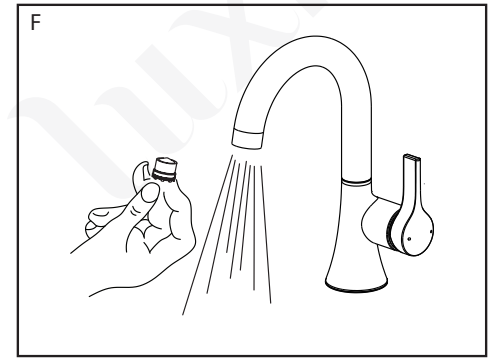
C. Slide the rubber washer and metal washer onto the mounting rod. Secure the faucet by tightening the nut from underneath the sink.



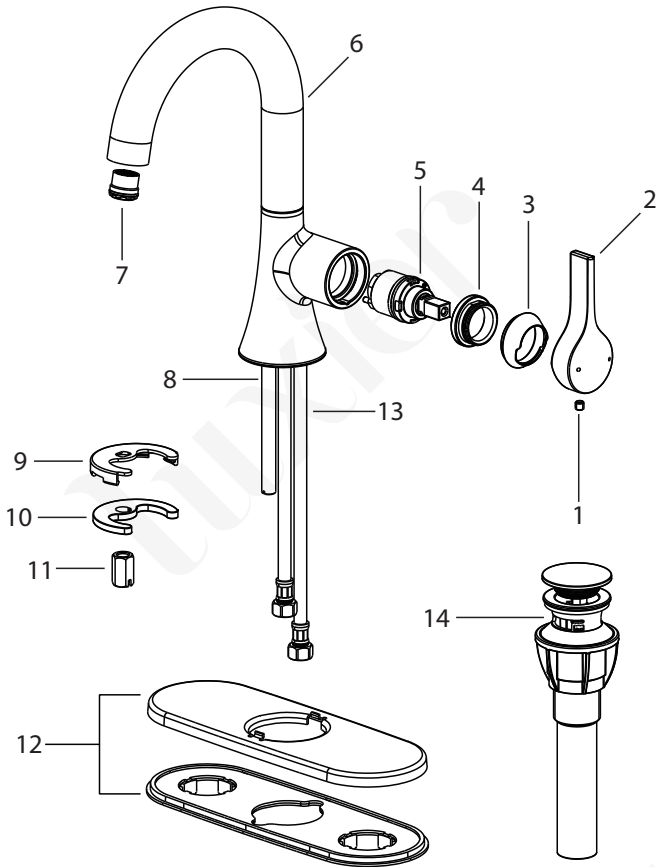
D. Use an adjustable wrench to tighten the water supply hoses. (**IMPORTANT:** Do not overtighten the connections.)



E. Remove rubber washer and locking nut from the drain assembly and slide the drain into the sink. Install the rubber washer first and tighten the locking nut to install the drain.



F. Remove the aerator with a small coin or a flat head screwdriver and let the water run for about 1 minute to clear any debris in the plumbing system. Check for leaks at all connections. Reinstall the aerator to complete the installation.



- 01. Setscrew
- 02. Handle
- 03. Cap
- 04. Bonnet
- 05. Cartridge
- 06. Body
- 07. Aerator
- 08. Mounting Rod
- 09. Rubber Washer
- 10. Metal Washer
- 11. Nut
- 12. Deck Plate
- 13. Water Supply Hose
- 14. Pop Up Drain Assembly

(**Note:** Sediments or mineral buildup will clog the aerator and decrease water flow. It is recommended to clean the aerator regularly to maintain proper water flow.)